

## Fixed handles

### SPECIFICATION

#### Types

- Type **D**: with plain shaft
- Type **E**: with threaded shaft

#### Version in Steel

##### Steel **ST**

zinc plated, blue passivated

##### Version in Stainless Steel

Stainless Steel AISI 316L **A4**

##### Version in Plastic

##### Plastic **KT**

Technopolymer (Polyamide PA)

- temperature resistant up to 100 °C
- black, matt finish
- threaded bolt Steel, blackened



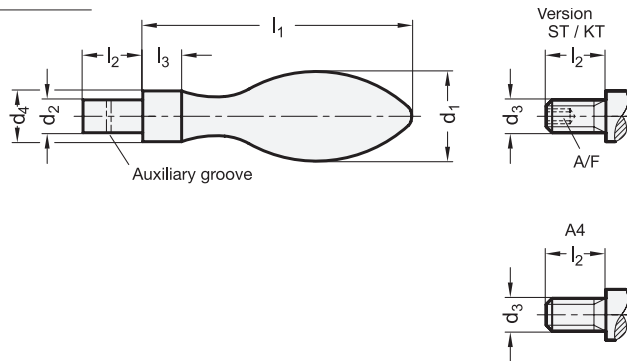
### INFORMATION

On the official DIN standard sheet you can find the additional sizes 10 and 13.

For reasons of hygiene, no hexagonal recess is used in type A4.

### TECHNICAL INFORMATION

- ISO-Fundamental Tolerances (see page A21)
- Plastic characteristics (see page A2)
- Stainless Steel characteristics (see page A26)



### DIN 39

Description	d1	d2 h8	d3	d4 h13	l1 ≈	l2	l3	A/F	⚖
DIN 39-ST-16-D	16	7	-	10	50	11	7	-	43
DIN 39-ST-20-D	20	8	-	13	64	13	8	-	92
DIN 39-ST-25-D	25	10	-	16	80	14	10	-	182
DIN 39-ST-32-D	32	13	-	20	100	21	13	-	368
DIN 39-ST-36-D	36	16	-	22	112	26	14	-	512
DIN 39-ST-16-E	16	-	M 6	10	50	11	7	3	42
DIN 39-ST-20-E	20	-	M 8	13	64	13	8	4	89
DIN 39-ST-25-E	25	-	M 10	16	80	14	10	5	174
DIN 39-ST-32-E	32	-	M 12	20	100	21	13	6	350
DIN 39-ST-36-E	36	-	M 16	22	112	26	14	8	503

### DIN 39-KT

Description	d1	d3	d4 h13	l1 ≈	l2	l3	A/F	⚖
DIN 39-KT-20-E	20	M 8	13	64	13	8	4	27
DIN 39-KT-25-E	25	M 10	16	80	14	10	5	40
DIN 39-KT-32-E	32	M 12	20	100	21	13	6	100

### DIN 39-A4

**STAINLESS STEEL**

Description	d1	d3	d4 h13	l1 ≈	l2	l3	⚖
DIN 39-A4-16-E	16	M 6	10	50	11	7	44
DIN 39-A4-20-E	20	M 8	13	64	13	8	90
DIN 39-A4-25-E	25	M 10	16	80	14	10	177

